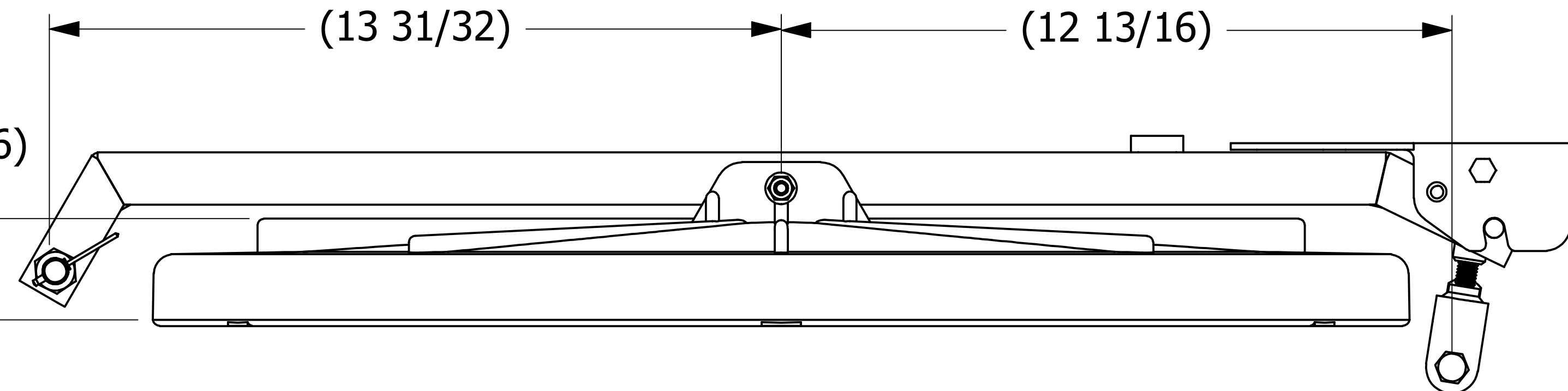
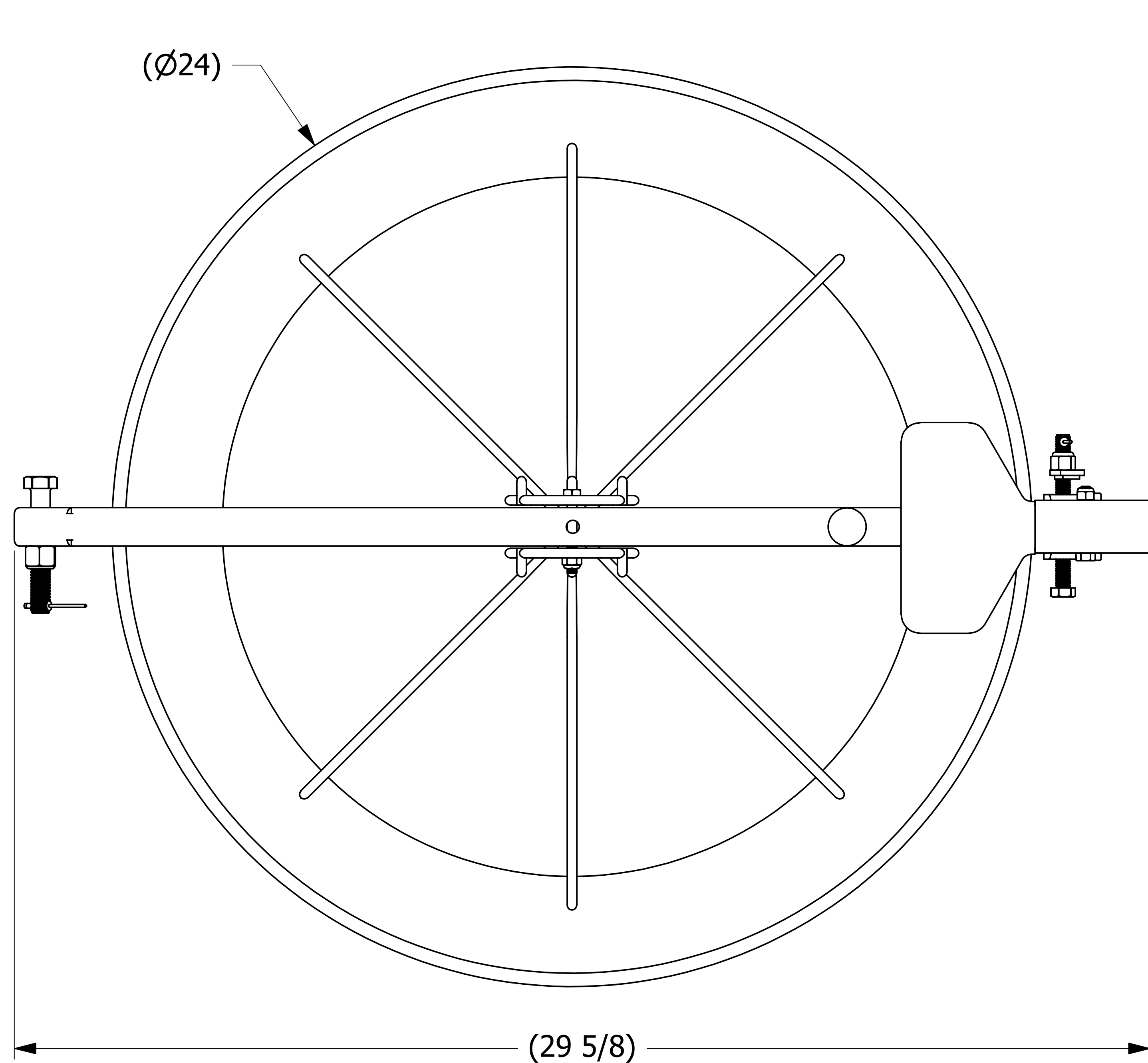


SALES DRAWING

SALES DRAWING



NOTE:
RIVETS ARE TO BE SHIPPED LOOSE.

UNLESS OTHERWISE SPECIFIED
DIMENSIONAL TOLERANCES

FRACTIONAL: ±1/16
X.XX: ±.03
X.XXX: ±.015
ANGULAR: ±1°

DEBURR ALL SHARP EDGES.
ALL MACHINED SURFACES TO
HAVE A 125 RMS FINISH
UNLESS NOTED OTHERWISE.

THIRD ANGLE PROJECTION

DRAWN BY:	WEB
CHECKED BY:	CHL
PROTOTYPE BY:	WEB
PROTOTYPE DATE:	12/18/2014
APPROVED FOR PRODUCTION BY:	WEB
PRODUCTION DATE:	6/8/2015

A	WEB	6-8-15	RELEASED FOR PRODUCTION
REV	BY	DATE	DESCRIPTION
SALCO PRODUCTS, INC.			
PART NAME: COVER ASSY NON VENTED 20"			
MATERIAL:		ABS/SS	
PROJECT #:	R141217	SHEET #:	1 OF 1
DRAWING #:	D40503	PART #:	RSAHC20TREB
		SCALE:	1:2

THIS PRINT, PROPERTY OF SALCO PRODUCTS INC. CONTAINS PROPRIETARY INFORMATION AND MUST NOT BE COPIED, REPRODUCED, OR USED DETRIMENTALLY TO OUR INTEREST.